



PKR SERIES

- CAM SWITCHES SPRING RETURN



- Complete range of cam switches for control, instrumentation and motor starting applications and as main switch.
- Quick and easy installation.
- Compact size with many switching programs.
- Multi pole design.
- 60 & 90 degree angle of throw.
- Protection degree from terminal side IP20 ensuring safety during installation.

TYPES:

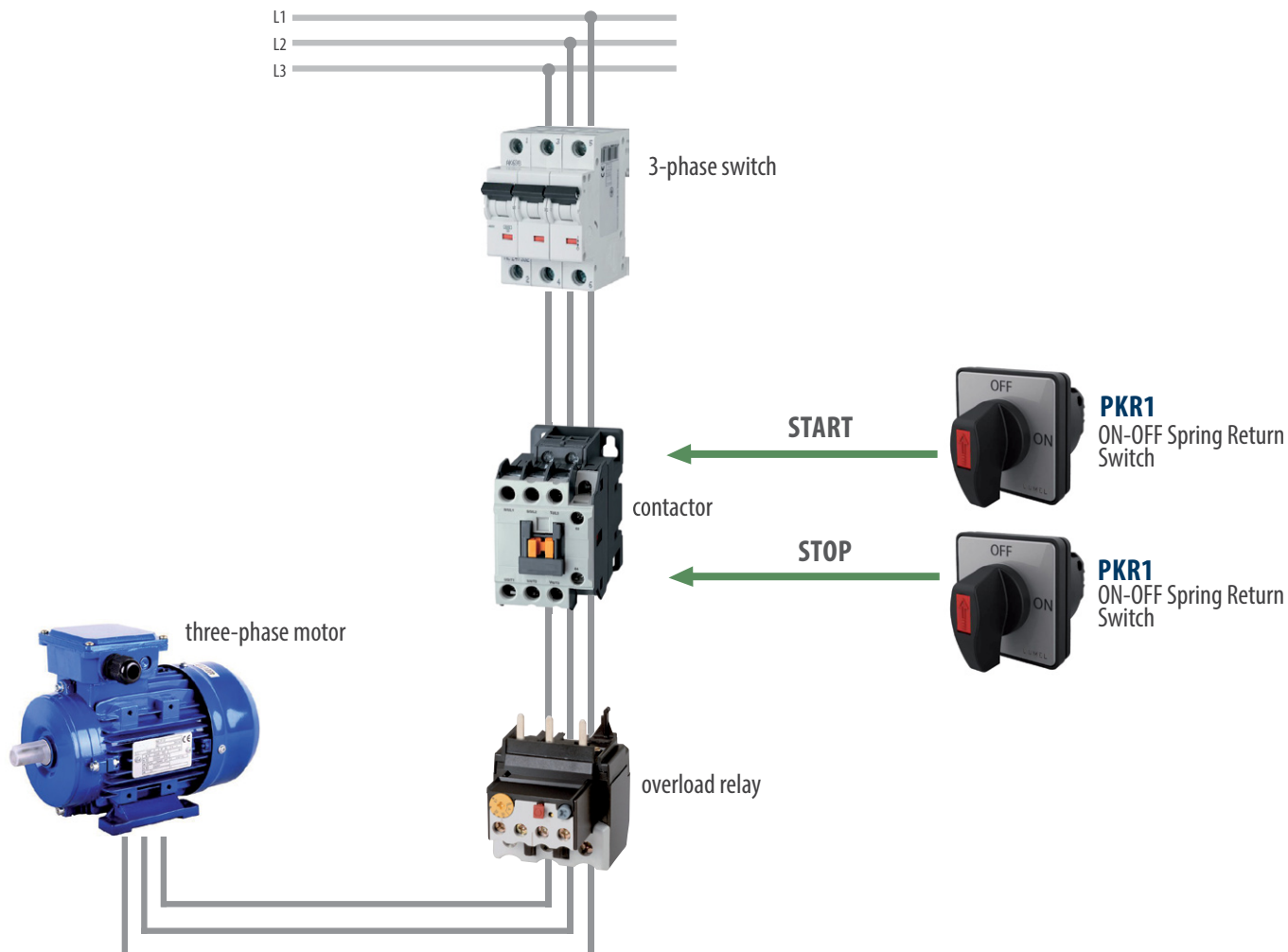
PKR1/PKR5 - ON-OFF SPRING RETURN SWITCHES

PKR2/PKR6 - DOUBLE THROW WITH OFF

PKR3/PKR7 - SPRING RETURN SWITCHES WITHOUT OFF



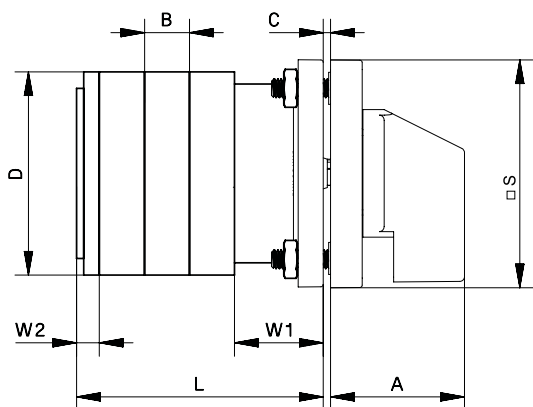
APPLICATION EXAMPLES



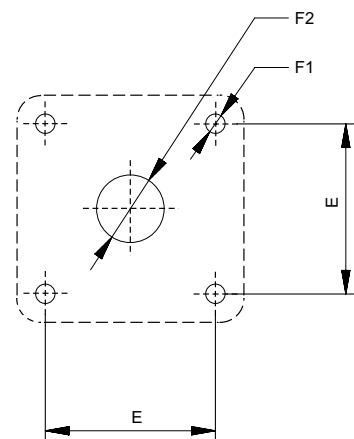
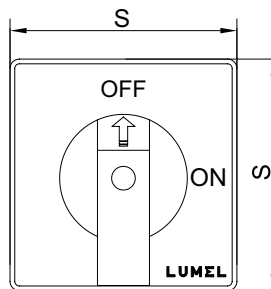
PKR SERIES

- CAM SWITCHES SPRING RETURN

EXTERNAL DIMENSIONS



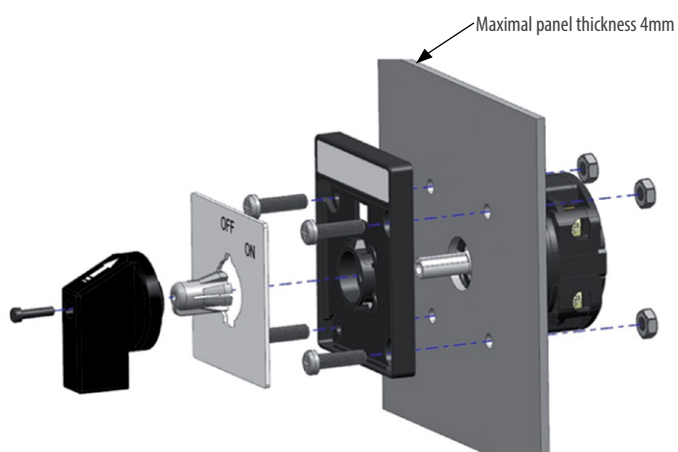
$L = \text{No. of Stages of Prog} \times B + W1 + W2$



Drilling plane

Type	A	B	C _(max)	D	E	F1	F2	S	W1	W2
16 A	29 mm	9.5 mm	4 mm	43 mm	36 mm	4 mm	7 mm	48 mm	19 mm	5 mm
25 A	34 mm	14.3 mm	4 mm	53 mm	48 mm	4 mm	12 mm	64 mm	24 mm	6.2 mm

INSTALLATION



AC DUTY RATINGS

Class	Application
AC-1	Non-Inductive or slightly inductive loads ($\cos\phi \geq 0,95$); Resistance furnaces
AC-3	Squirrel-cage motors: starting switching off motors during running
AC-15	Control of AC electromagnetic loads
AC-21-A	Switching of resistive loads, including moderate overloads (frequent switching)
AC-23-A	Switching of motor loads or other highly inductive loads (frequent switching)

PKR SERIES

- CAM SWITCHES SPRING RETURN

DANE TECHNICZNE

PARAMETERS		UNIT	16 A	25 A
Rated operational voltage (Ue)		V	690	690
Rated Insulation voltage (Ui)		V	690	690
Rated uninterupted current (Ith)		A	20	25
Rated short time withstand current (Icw)		A	192*	300
Rated Impulse withstand voltage (Uimp)		kV	4	6
Rated Fuse short circuit current		kA	5	10
Fuse size (Type gG/ gM)		A	16	25
The power of the receiver in terms of use				
AC23A 3 phase	220-240 V	kW	3	4.7
	380-440V	kW	5.5	7.5
	500V	kW	5.5	11
	660-690V	kW	5.5	11
AC23A 1 phase	110V	kW	0.55	1.5
	220-240V	kW	1.5	3
	380-440V	kW	2.2	5.5
AC3 3 phase	220-240V	kW	3	4.7
	380-440V	kW	5.5	7.5
	500V	kW	5.5	11
	600-690V	kW	5.5	11
AC3 1 phase	110V	kW	0.55	1.5
	220-240V	kW	1.5	3
	380-440V	kW	2.5	5.5
AC21A/AC1		A	16	25
AC15	220-240V	A	5	8
	380-440V	A	4	5
Terminal cross-section				
Single / Multiple	Min	mm ²	1.5	2.5
	Max	mm ²	4	4
Fine strand with sleeve	Min	mm ²	1	1.5
	Max	mm ²	2.5	4
Terminal screw		metric	M3	M4
Terminal tightening torque		Nm	0.8	1.2

* Rated short time withstand current (0.5s- current)

RATED OPERATING CONDITIONS

Frequency	50/60 Hz	
Operating temperature	-25°C...60°C	
Storage temperature	-40°C...80°C	
Installation category	III	
Altitude a.s.l.	2000 m	
Protection grade	IP50 from frontal side	IP20 from terminal side
Standards	IEC 60947-1 , IEC 60947-3, IEC 60947-5	

SWITCH LIFE

Mechanical Life	100 000 operations at 300 cycles/hr	
Electrical Life	10 000 operations at 100% rated duty at 120 cycles/hr	
Contacts	double break	type AgNi
	double break	type AgCdO

PKR1/PKR5 SERIES

- ON-OFF SPRING RETURN SWITCHES

WIRING DIAGRAMS AND CODING

ON-OFF SPRING RETURN SWITCHES PKR1/PKR5

Ordering code **PKR1-A1_XXO9FA_000**

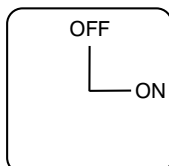
On-Off spring return switch PKR1-	A	1	-	XX	O	9	F	A	-	000
Rated current:										
16 A	A									
Pole:										
1 pole										1
2 poles										2
3 poles										3
4 poles										4
OFF way:										
with OFF										O
Angle:										
90°										9
Front plate colour:										
silver background and black knob										A
Acceptance tests:										
without additional quality requirements										0
with an extra quality inspection certificate										1
Version:										
standard										000
custom-made*										XXX

* - only after agreeing with the manufacturer

Ordering code **PKR5-B1_XXO9FA_000**

On-Off spring return switch PKR5-	B	1	-	XX	O	9	F	A	-	000
Rated current:										
25 A	B									
Pole:										
1 pole										1
2 poles										2
3 poles										3
4 poles										4
OFF way:										
with OFF										O
Angle:										
90°										9
Front plate colour:										
silver background and black knob										A
Acceptance tests:										
without additional quality requirements										0
with an extra quality inspection certificate										1
Version:										
standard										000
custom-made*										XXX

* - only after agreeing with the manufacturer



Description	PKR1	PKR5
	16A	25A
	Stage number	
1-polar + OFF	1	1
2-polar + OFF	1	1
3-polar + OFF	2	2
4-polar + OFF	2	2

OUTPUT SIDE	1A	1B	1C	1D
90°				
INPUT SIDE	LA	LB	LC	LD
POLES	1	2	3	4
OFF				
ON	X	X	X	X

PKR2/PKR6 SERIES

- DOUBLE THROW WITH OFF

WIRING DIAGRAMS AND CODING

DOUBLE THROW WITH OFF PKR2/PKR6

Ordering code **PKR2-A2_02O6FA_000**

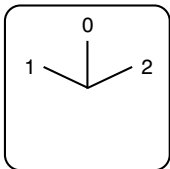
Double throw with OFF type PKR2-	A	2	-	02	O	6	F	A	-	000
Rated current:										
16 A	A									
Pole:										
1 pole										1
2 poles										2
3 poles										3
No. of ways:										
2 ways										02
OFF way:										
with OFF										O
Angle:										
60°										6
Front plate colour:										
silver background and black knob										A
Acceptance tests:										
without additional quality requirements										0
with an extra quality inspection certificate										1
Version:										
standard										000
custom-made*										XXX

Ordering code **PKR6-B2_02O6FA_000**

Double throw with OFF type PKR6-	B	2	-	02	O	6	F	A	-	000
Rated current:										
25A	B									
Pole:										
1 pole										1
2 poles										2
3 poles										3
No. of ways:										
2 ways										02
OFF way:										
with OFF										O
Angle:										
60°										6
Front plate colour:										
silver background and black knob										A
Acceptance tests:										
without additional quality requirements										0
with an extra quality inspection certificate										1
Version:										
standard										000
custom-made*										XXX

* - only after agreeing with the manufacturer

* - only after agreeing with the manufacturer



Description	PKR2	PKR6
	16A	25A
	Stage number	
1-polar 2-way + OFF	1	1
2-polar 2-way + OFF	2	2
3-polar 2-way + OFF	3	3

OUTPUT SIDE	1A	2A	1B	2B	1C	2C
INPUT SIDE	LA	LA	LB	LB	LC	LC
POLES	1		2		3	
0						
1	X		X		X	
2		X		X		X

PKR3/PKR7 SERIES

- SPRING RETURN SWITCHES WITHOUT OFF

WIRING DIAGRAMS AND CODING

SPRING RETURN SWITCHES WITHOUT OFF PKR3/PKR7

Ordering code **PKR3-A3_02W6FA_000**

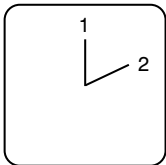
Spring Return Switches without OFF type PKR3-	A	3	-	02	W	6	F	A	-	000
Rated current:										
16 A	A									
Pole:										
1 pole										1
2 poles										2
3 poles										3
No. of ways:										
2 ways										02
OFF way:										
without OFF										W
Angle:										
60°										6
Front plate colour:										
silver background and black knob										A
Acceptance tests:										
without additional quality requirements										0
with an extra quality inspection certificate										1
Version:										
standard										000
custom-made*										XXX

Ordering code **PKR7-B3_02W6FA_000**

Spring Return Switches without OFF type PKR7-	B	3	-	02	W	6	F	A	-	000
Rated current:										
25A	B									
Pole:										
1 pole										1
2 poles										2
3 poles										3
No. of ways:										
2 ways										02
OFF way:										
with OFF										W
Angle:										
60°										6
Front plate colour:										
silver background and black knob										A
Acceptance tests:										
without additional quality requirements										0
with an extra quality inspection certificate										1
Version:										
standard										000
custom-made*										XXX

* - only after agreeing with the manufacturer

* - only after agreeing with the manufacturer



Description	PKR3	PKR7
	16A	25A
	Stage number	
1-polar 2-way without OFF	1	1
2-polar 2-way without OFF	2	2
3-polar 2-way without OFF	3	3

OUTPUT SIDE	1A	2A	1B	2B	1C	2C
INPUT SIDE	LA	LA	LB	LB	LC	LC
POLES	1		2		3	
1	X		X		X	
2		X		X		X

PKR-19

PKR SERIES

- CAM SWITCHES SPRING RETURN